

Wing grips "Miniwing"

Item description/product images



Description

Product description:

Technical freedom played an important role during the development of these small sized wing grips. The result is a miniwing that is far more than a means to an end. It is a rational and comfortable to use operating and working element.

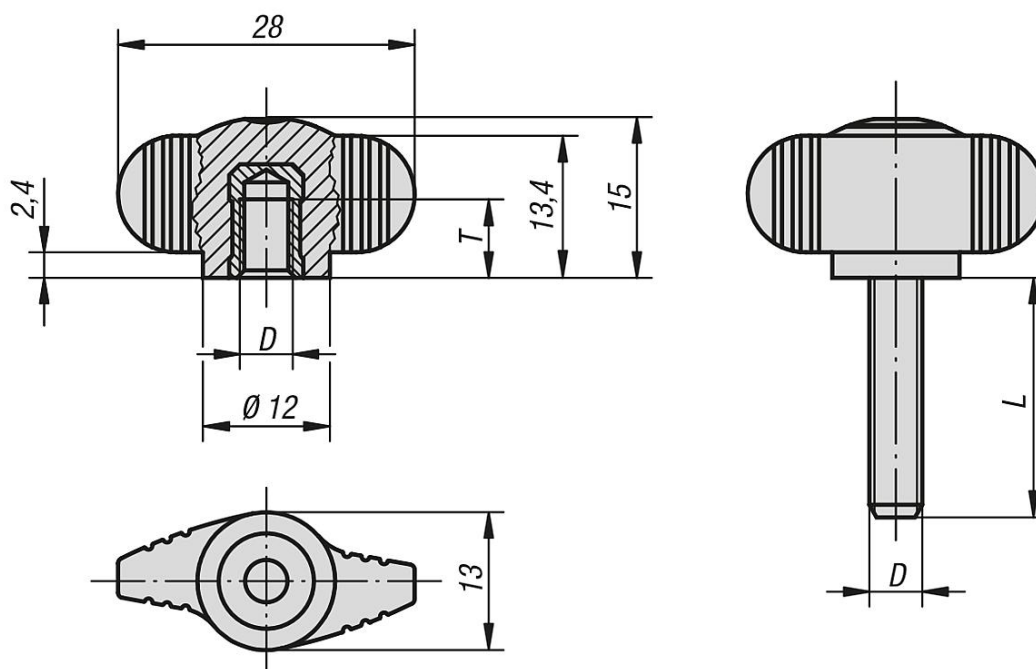
Material:

Grip black grey thermoplastic.
 Bush brass or stainless steel 1.4305.
 Screw steel 5.8 or stainless steel 1.4305.

Version:

Steel blue chromed.
 Stainless steel, bright.

Drawings



Overview of items

Wing grips "Miniwing" with internal thread

Order No.	Component material	D	T
K0274.004	brass	M4	6
K0274.005	brass	M5	7,5
K0274.006	brass	M6	9
K0274.0004	Stainless steel	M4	6
K0274.0005	Stainless steel	M5	7,5
K0274.0006	Stainless steel	M6	9

Wing grips "Miniwing" with external thread

Wing grips "Miniwing"

Overview of items

Order No.	Component material	D	L
K0274.004X	Steel	M4	8
K0274.005X	Steel	M5	10/15/20
K0274.006X	Steel	M6	10/15/20/25/30
K0274.008X	Steel	M8	20/25/30/40
K0274.0004X	Stainless steel	M4	8
K0274.0005X	Stainless steel	M5	10/15/20
K0274.0006X	Stainless steel	M6	10/15/20/25/30
K0274.0008X	Stainless steel	M8	20/25/30/40