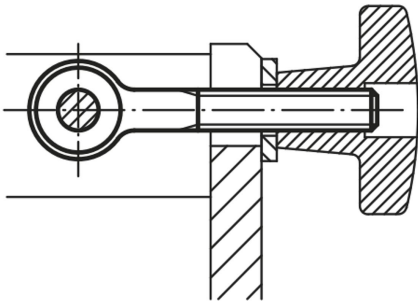


Eye bolts DIN 444, Form B

Item description/product images



Description

Material:

Steel, grade 8.8 or stainless steel.

Version:

Steel black oxidised.

Stainless steel bright.

Note:

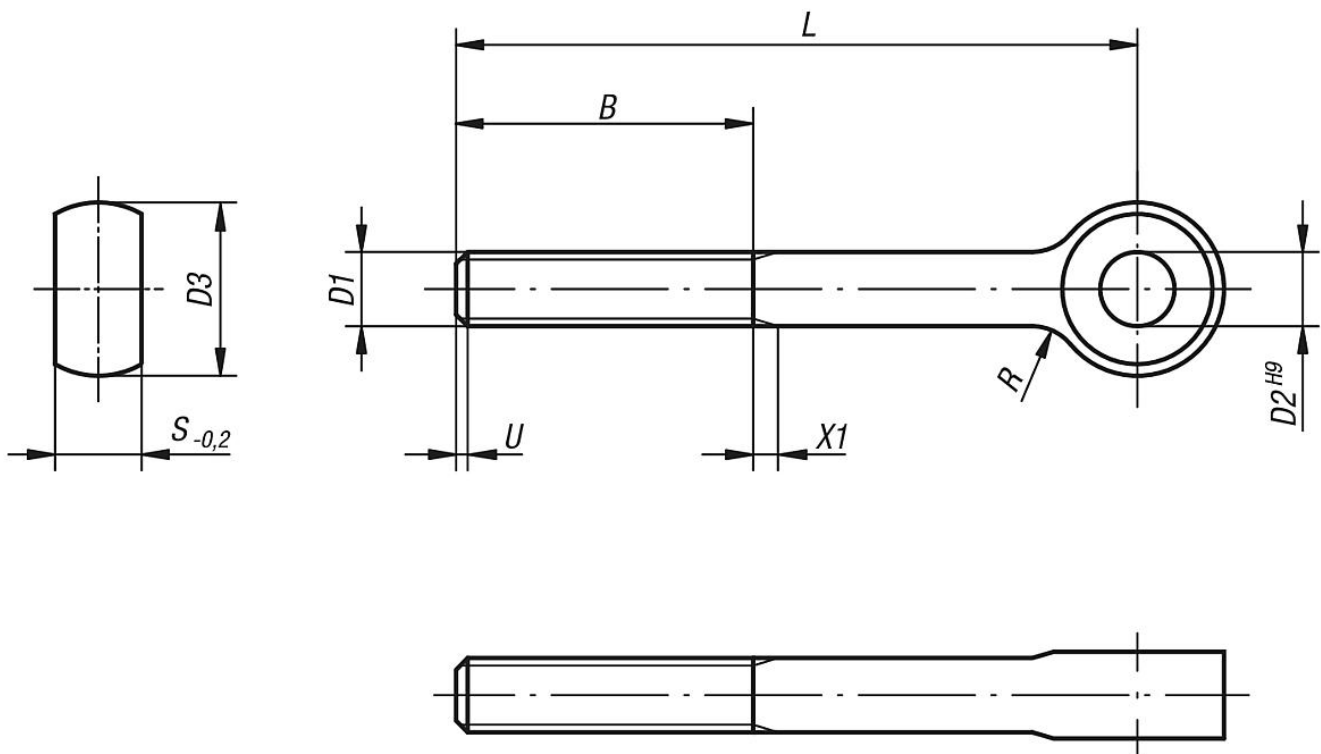
Suitable hinge pin, see K0007.

Drawing reference:

U = max. 2 P (incomplete thread)

X1 = to DIN 76 part 1

Drawings



Overview of items

Eye bolts DIN 444

Order No.	Base material	D1	L	D2	D3	B	S	R
K0396.0550	Steel	M5	50	5	12	16	6	2,5
K0396.0575	Steel	M5	75	5	12	16	6	2,5
K0396.0650	Steel	M6	50	6	14	18	7	4

Eye bolts DIN 444, Form B

Overview of items

Order No.	Base material	D1	L	D2	D3	B	S	R
K0396.0675	Steel	M6	75	6	14	18	7	4
K0396.0850	Steel	M8	50	8	18	22	9	4
K0396.0875	Steel	M8	75	8	18	22	9	4
K0396.1075	Steel	M10	75	10	20	26	12	4
K0396.10100	Steel	M10	100	10	20	26	12	4
K0396.1275	Steel	M12	75	12	25	30	14	6
K0396.12100	Steel	M12	100	12	25	30	14	6
K0396.12120	Steel	M12	120	12	25	30	14	6
K0396.12130	Steel	M12	130	12	25	36	14	6
K0396.1475	Steel	M14	75	14	28	36	16	6
K0396.14130	Steel	M14	130	14	28	36	16	6
K0396.16130	Steel	M16	130	16	32	44	17	6
K0396.20140	Steel	M20	140	18	40	52	22	6
K0396.10550	Stainless steel	M5	50	5	12	16	6	2,5
K0396.10650	Stainless steel	M6	50	6	14	18	7	4
K0396.10675	Stainless steel	M6	75	6	14	18	7	4
K0396.10850	Stainless steel	M8	50	8	18	22	9	4
K0396.10875	Stainless steel	M8	75	8	18	22	9	4
K0396.11075	Stainless steel	M10	75	10	20	26	12	4
K0396.110100	Stainless steel	M10	100	10	20	26	12	4
K0396.11275	Stainless steel	M12	75	12	25	30	14	6
K0396.112100	Stainless steel	M12	100	12	25	30	14	6
K0396.112120	Stainless steel	M12	120	12	25	30	14	6
K0396.112130	Stainless steel	M12	130	12	25	36	14	6
K0396.11475	Stainless steel	M14	75	14	28	36	16	6
K0396.114130	Stainless steel	M14	130	14	28	36	16	6
K0396.116130	Stainless steel	M16	130	16	32	44	17	6
K0396.120140	Stainless steel	M20	140	18	40	52	22	6

Information about this article

Eye bolts are fastening elements with hole in the head. The hole in the head is called an eye and gives the bolt its name. The DIN 444 eye bolt should not be confused with a »ring bolt, the eye bolt has a longer thread and the ring bolt a larger eyelet. Applications for the two differ significantly. The eye bolt is mainly used for fastening objects such as wire cables, hooks, pins and shackles. A practical application example would be on a turnbuckle with locknut and a threaded rod. These elements are used to tension and clamp cable or wire constructions. The high strength eye bolts allow them to be used to secure loads or to fixate a position. Eye bolts are often fastened with »wing nuts allowing the screw to be tightened and loosened quickly. Due to the wide range of applications, the DIN 444 eye bolt is an important structural element in machine construction. The relatively long thread enables easy mounting at the desired location. KIPP eye bolts are available in steel or stainless steel versions in the online shop. »Hinge pins which are suitable for the DIN 444 eye bolt are also available.