

## Knurled nuts flat steel and stainless steel, DIN 467

### Item description/product images



### Description

#### Material:

Free-cutting steel 1.0718.

Stainless steel 1.4305.

#### Version:

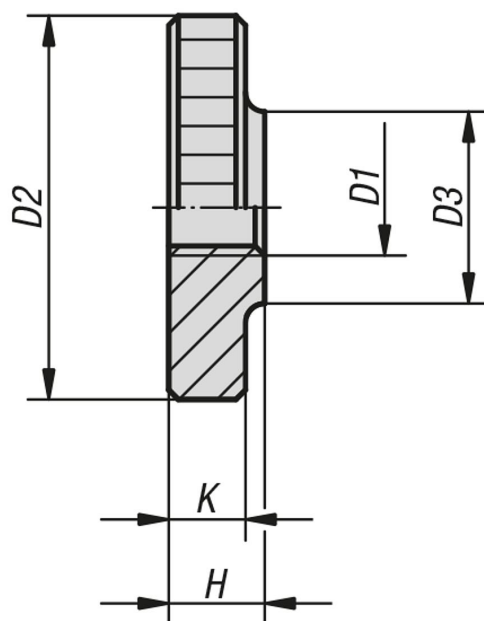
Steel black oxidised.

Stainless steel bright.

#### Note:

M12 flat knurled nuts are not included in the official standards sheet.

### Drawings



### Overview of items

#### Knurled nuts flat, steel and stainless steel, DIN 467

Order No.	Base material	D1	D2	D3	H	K
K0144.04	Free-cutting steel	M4	16	8	4	3,5
K0144.05	Free-cutting steel	M5	20	10	5	4
K0144.06	Free-cutting steel	M6	24	12	6	5
K0144.08	Free-cutting steel	M8	30	16	8	6
K0144.10	Free-cutting steel	M10	36	20	10	8
K0144.12	Free-cutting steel	M12	36	20	10	8
K0144.042	Stainless steel	M4	16	8	4	3,5
K0144.052	Stainless steel	M5	20	10	5	4

## Knurled nuts flat steel and stainless steel, DIN 467

### Overview of items

Order No.	Base material	D1	D2	D3	H	K
K0144.062	Stainless steel	M6	24	12	6	5
K0144.082	Stainless steel	M8	30	16	8	6
K0144.102	Stainless steel	M10	36	20	10	8
K0144.122	Stainless steel	M12	36	20	10	8