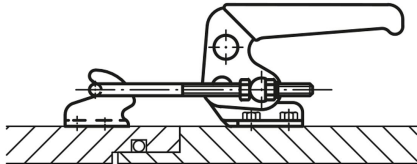
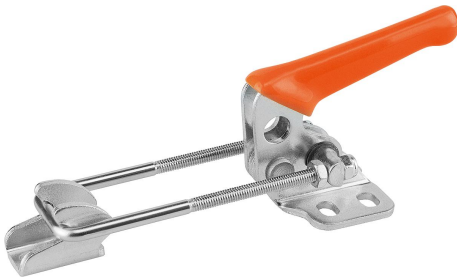


## Toggle clamps latch horizontal with catch plate

### Item description/product images



### Description

#### Material:

Steel or stainless steel

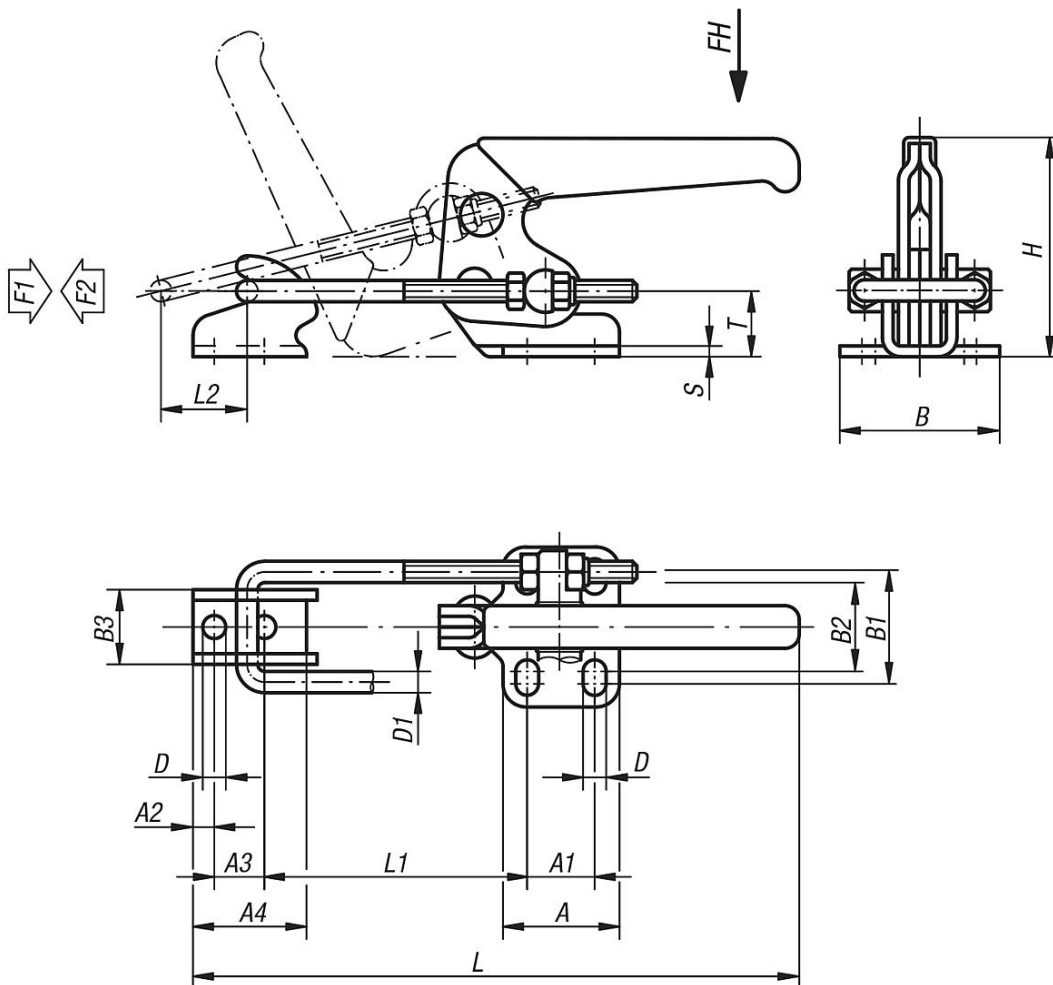
#### Version:

Galvanized and chromed.  
Stainless steel bright.  
Plastic handle oil-resistant.

#### Note:

Horizontal latch toggle clamps are especially suitable for quickly closing and locking covers and hatches.  
The travel can be set by altering the hasp length.

### Drawings



### Overview of items

### Toggle clamps latch horizontal with catch plate

# Toggle clamps latch horizontal with catch plate

## Overview of items

Order No.	Base material	Opening angle of handle	Hand force FH N	Retaining force F2 N	Pull force F1 N	Travel path L max.	Travel path L min.	Travel path L1 max.	Travel path L1 min.	Clamping travel L2
<b>K0080.0140</b>	Steel	120°	100	2000	1800	135	105	68	38	16
<b>K0080.0250</b>	Steel	120°	150	4000	2700	185	145	85	45	24
<b>K0080.0450</b>	Steel	120°	200	7000	4500	250	190	120	65	32
<b>K0080.0140N</b>	Stainless steel	120°	100	2000	1800	135	105	68	38	16
<b>K0080.0250N</b>	Stainless steel	120°	150	4000	2700	185	145	85	45	24
<b>K0080.0450N</b>	Stainless steel	120°	200	7000	4500	250	190	120	65	32

Order No.	Base material	A	A1	A2	A3	A4	B	B1	B2	B3	D	D1	H	S	T
<b>K0080.0140</b>	Steel	26	13	4,5	11	24	36	24	19	16	5,2	4	42	2,5	11,5
<b>K0080.0250</b>	Steel	35	19	6	14	32	48	33	26	21	6,5	6	64	3	18,5
<b>K0080.0450</b>	Steel	51	32	8	19	40	64	45	36	28	8,5	8	85	4	25,5
<b>K0080.0140N</b>	Stainless steel	26	13	4,5	11	24	36	24	19	16	5,2	4	42	2,5	11,5
<b>K0080.0250N</b>	Stainless steel	35	19	6	14	32	48	33	26	21	6,5	6	64	3	18,5
<b>K0080.0450N</b>	Stainless steel	51	32	8	19	40	64	45	36	28	8,5	8	85	4	25,5