

Rubber buffers conical

Item description/product images



Description

Material:

Metal parts, steel, grade 5.6.

Elastomer natural rubber, medium hardness, Shore 55A.

Version:

Steel galvanized.

Note:

Rubber buffers are robust and effective elastic cushioning elements and shock absorbers. These buffers are ideal for elastic travel limitation and cushioning knocks by mobile and immobile aggregates and machines and as use as door stops.

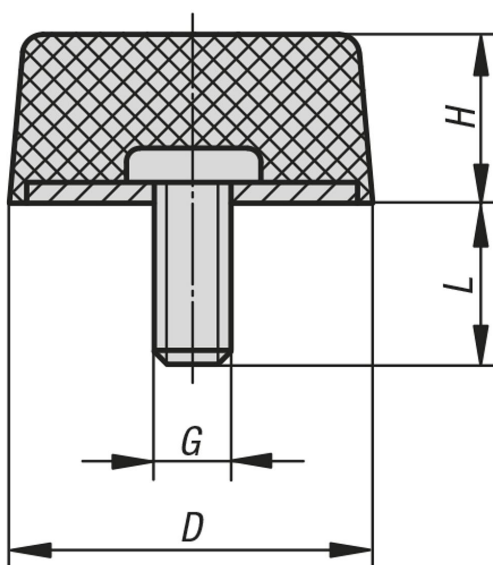
Temperature range:

-30°C to +80°C.

On request:

Other Shore grades.

Drawings



Overview of items

Rubber buffers, conical

Order No.	D	H	G	L	Spring stiffness N/mm	Load N
K0575.02501755	25	17	M6	18	3,7	678
K0575.05001855	50	18	M10	28	4	3600