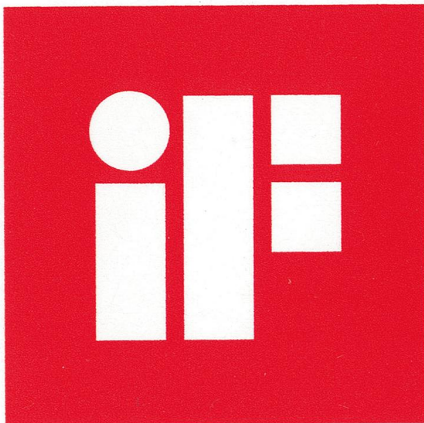
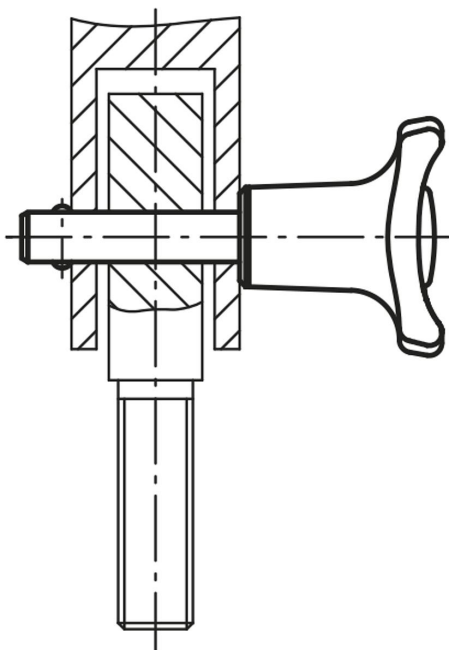


## Ball lock pins self-locking

### Item description/product images



product  
design  
award



### Description

#### Material:

Grip and push button thermoplastic.  
Metal parts stainless steel.

#### Version:

Grip black.  
Push button traffic red.  
Steel parts bright.

#### Note:

Ball lock pins are used for quick and easy fastening and joining of parts and workpieces.  
The two balls are disengaged by pressing the push button and the pin can be slipped into holes in the workpieces. Release the button to lock the balls and secure the connection.  
Form A is suitable for applications where high demands and precision are required.

Shearing force double shear  $(F) = S \cdot \tau$  aB max.

#### Features:

Form A:  
Pin ground, metal collar, high axial pull-out force  
Form B:  
Pin h9, plastic collar, low axial pull-out force

#### Accessory:

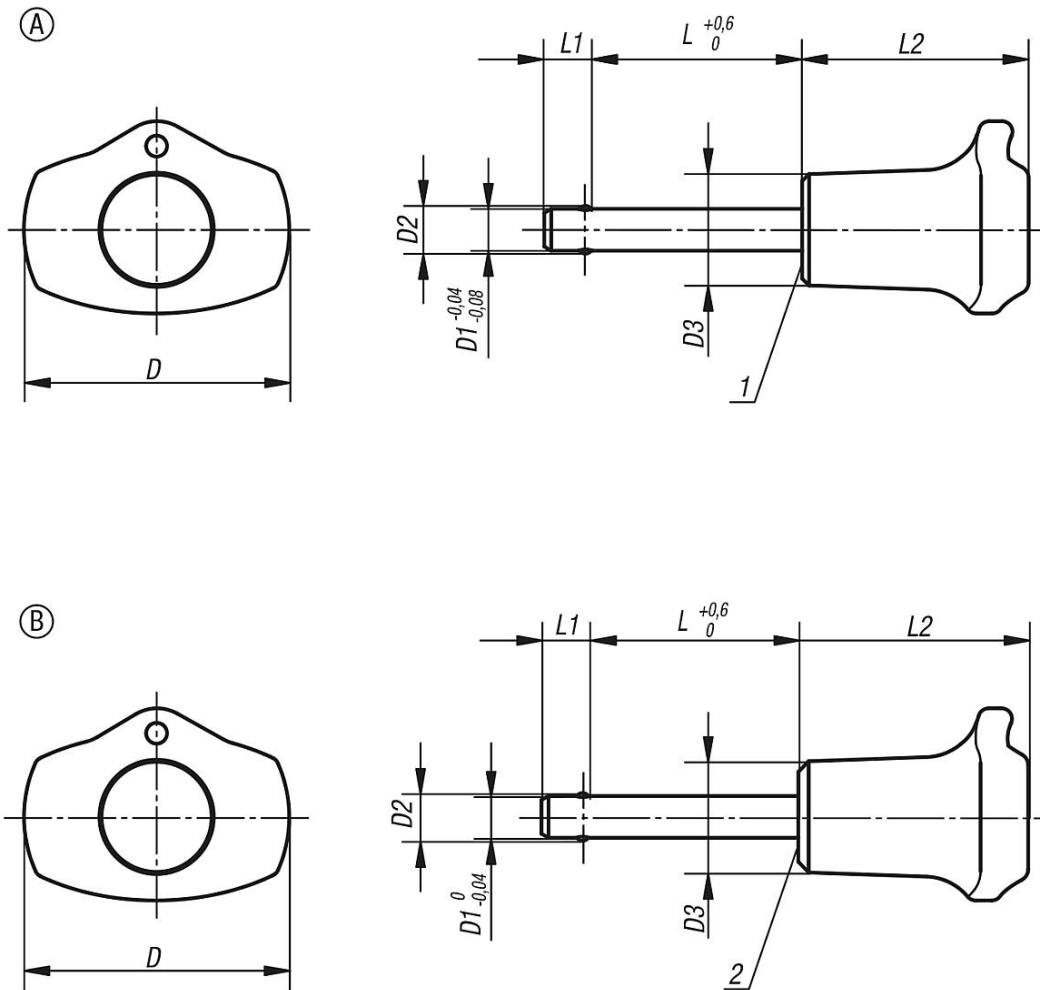
Safety spiral cable K0367.10200  
Retaining cable with loop K0367. ....  
Key ring K0367.15/19/23  
Bushing for ball lock pins K0724....

#### Drawing reference:

- 1) Metal collar
- 2) Plastic collar

# Ball lock pins self-locking

## Drawings



## Overview of items

### Ball lock pins, self-locking, Form A, metal collar

Order No.	D	D1	D2	D3	L	L1	L2	Receiving hole H11	Shearing force double shear max.kN
K0363.3805***	38	5	5,5	16	10/15/20/25/30	6	32,5	5	15
K0363.3806***	38	6	6,85	16	10/15/20/25/30/35/40/45/50	7	32,5	6	22
K0363.3808***	38	8	9,5	16	20/25/30/35/40/45/50	8	32,5	8	38
K0363.4710***	47	10	12	23	20/25/30/35/40/45/50/60	9	40	10	60
K0363.4712***	47	12	14,5	23	25/30/35/40/45/50/60/70/80	10	40	12	86
K0363.4716***	47	16	19	23	30/35/40/45/50/60/70/80	13	40	16	153

### Ball lock pins, self-locking, Form B, plastic collar

Order No.	D	D1	D2	D3	L	L1	L2	Receiving hole H11	Shearing force double shear max.kN
K0363.13805***	38	5	5,5	16	15/20/25/30	5,9	33	5	15
K0363.13806***	38	6	6,85	16	30/40/50	6,8	33	6	22
K0363.13808***	38	8	9,5	16	30/40/50	7,8	33	8	38