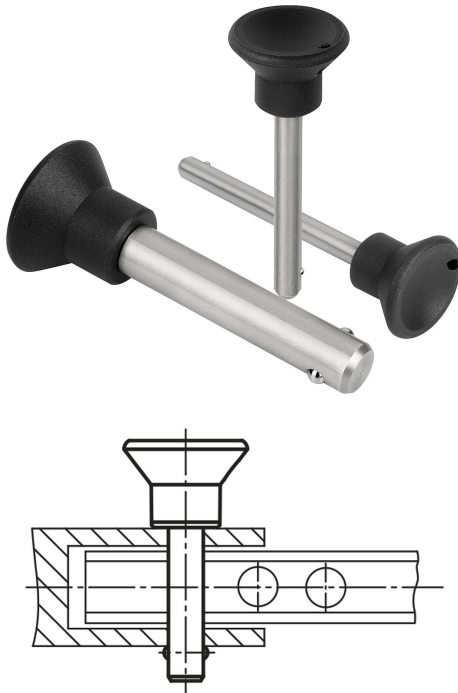


## Locking pins

### Item description/product images



### Description

**Material:**

Grip thermoplastic.  
Steel parts stainless steel.

**Version:**

Grip black.  
Steel parts bright.

**Note:**

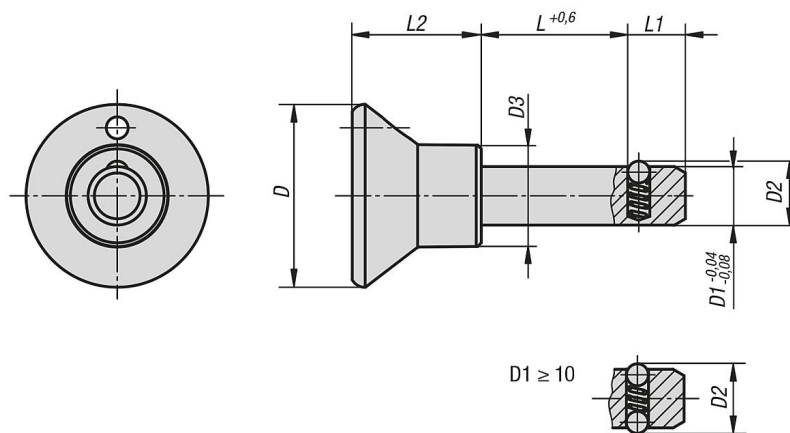
Locking pins are used for quick and easy fixating and joining of parts and workpieces.

Shearing force double-shear (F) = S · τ aB max.

**Accessory:**

Safety spiral cable K0367.10200  
Retaining cable with loop K0367. ....  
Key ring K0367.15/19/23  
Bushing for ball lock pins K0724....

### Drawings



### Overview of items

#### Locking pins

Order No.	D	D1	D2	D3	L	L1	L2	Receiving hole H11	Shearing force double shear max.kN
K0365.2506010	25	6	6,5	14	10	7	17,7	6	22
K0365.2506015	25	6	6,5	14	15	7	17,7	6	22
K0365.2506020	25	6	6,5	14	20	7	17,7	6	22
K0365.2506025	25	6	6,5	14	25	7	17,7	6	22
K0365.2506030	25	6	6,5	14	30	7	17,7	6	22
K0365.2506040	25	6	6,5	14	40	7	17,7	6	22
K0365.2506050	25	6	6,5	14	50	7	17,7	6	22
K0365.2508015	25	8	8,75	14	15	8	17,7	8	38
K0365.2508020	25	8	8,75	14	20	8	17,7	8	38

## Locking pins

### Overview of items

Order No.	D	D1	D2	D3	L	L1	L2	Receiving hole H11	Shearing force double shear max.kN
K0365.2508025	25	8	8,75	14	25	8	17,7	8	38
K0365.2508030	25	8	8,75	14	30	8	17,7	8	38
K0365.2508040	25	8	8,75	14	40	8	17,7	8	38
K0365.2508050	25	8	8,75	14	50	8	17,7	8	38
K0365.3310015	33	10	12	19	15	9	24	10	60
K0365.3310020	33	10	12	19	20	9	24	10	60
K0365.3310025	33	10	12	19	25	9	24	10	60
K0365.3310030	33	10	12	19	30	9	24	10	60
K0365.3310040	33	10	12	19	40	9	24	10	60
K0365.3310050	33	10	12	19	50	9	24	10	60
K0365.3312020	33	12	14,5	19	20	10	24	12	86
K0365.3312030	33	12	14,5	19	30	10	24	12	86
K0365.3312040	33	12	14,5	19	40	10	24	12	86
K0365.3312050	33	12	14,5	19	50	10	24	12	86