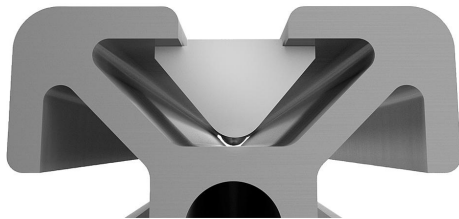
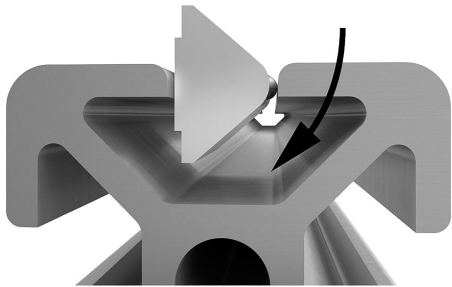


Slot nuts twist-in, keyed Type I

Item description/product images



Description

Material:
Steel.

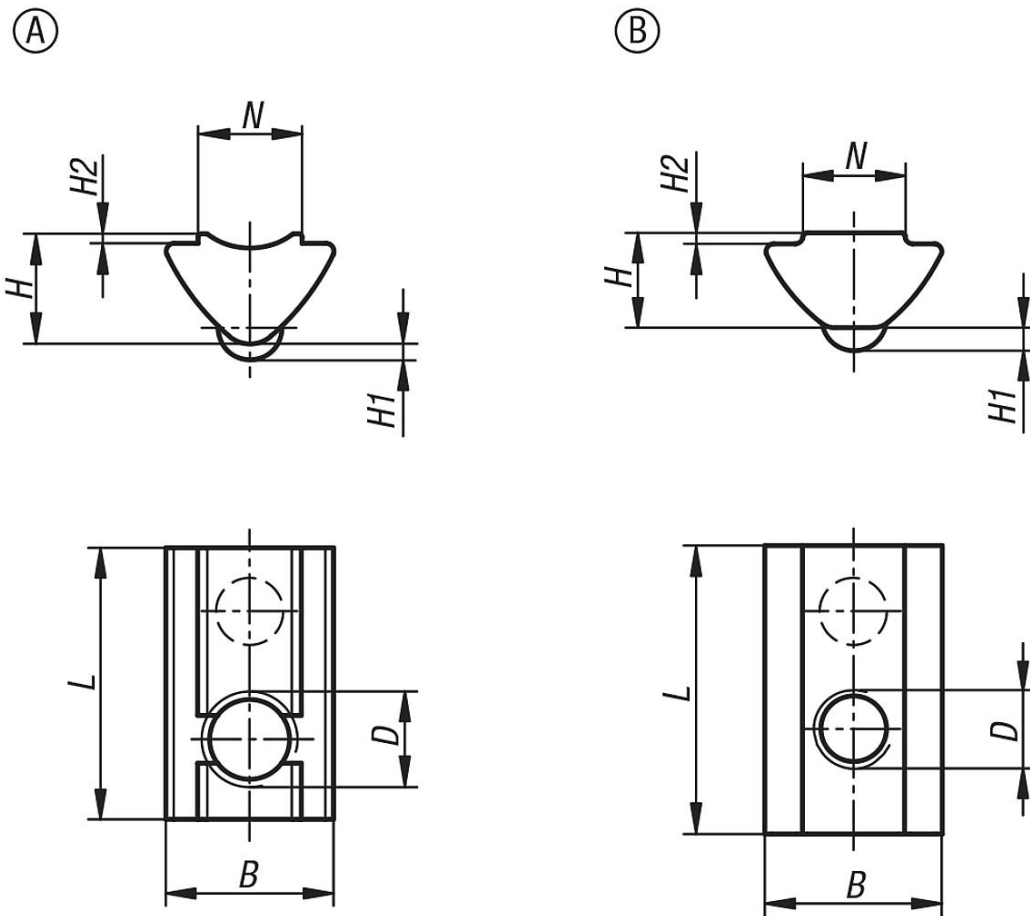
Version:
galvanized.

Note:

The slot nut is twisted into the profile slot and so can be subsequently inserted into existing systems. The spring-loaded ball allows the nut to be fixated anywhere in the profile slot. The key centres the nut in the profile slot and keeps it neatly seated.

Slot nuts twist-in, keyed Type I

Drawings



Overview of items

Slot nuts twist-in, keyed Type I

Order No.	Type	Slot width	Form	D	N	B	H	H1	H2	L
K1024.0604	I	6	A	M4	6,5	10,5	6,9	1	0,6	17
K1024.0605	I	6	A	M5	6,5	10,5	6,9	1	0,6	17
K1024.0606	I	6	A	M6	6,5	10,5	6,9	1	0,6	17
K1024.0803	I	8	B	M3	7,8	13,5	7,2	1,75	0,8	22
K1024.0804	I	8	B	M4	7,8	13,5	7,2	1,75	0,8	22
K1024.0805	I	8	B	M5	7,8	13,5	7,2	1,75	0,8	22
K1024.0806	I	8	B	M6	7,8	13,5	7,2	1,75	0,8	22
K1024.0808	I	8	B	M8	7,8	13,5	7,2	1,75	0,8	22