

Oil level sight glasses press-in

Item description/product images



Description

Material:

Housing thermoplastic polyamide.

O-ring NBR, Shore 70.

Reflector plastic.

Version:

Housing, transparent, high mechanical stability, non-ageing, temperature resistant up to 90 °C, resistant to solvents but not to alcohol or frost.

Reflector white.

Note:

For use where there is no internal pressure.

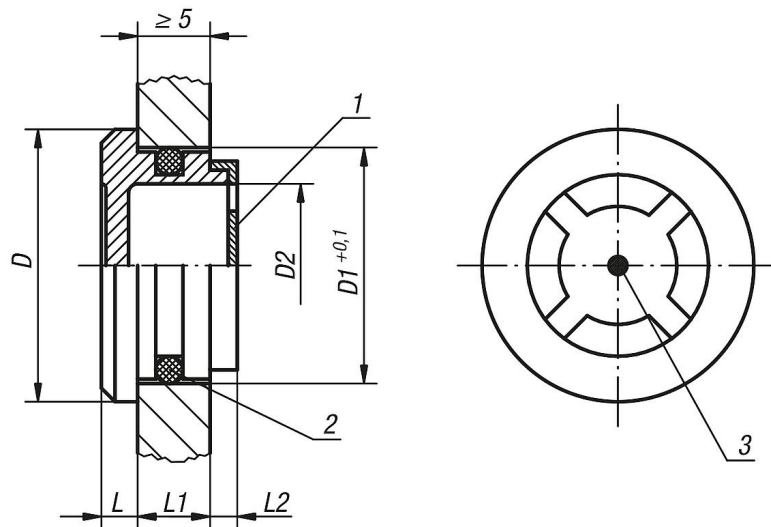
Drawing reference:

1) reflector

2) O-ring

3) check mark

Drawings



Overview of items

Oil level sight glasses, press-in

Order No.	D	drill Ø D1	D2	L	L1	L2
K0446.2420	24	20	14	4	7	3
K0446.3026	30	26	20	4	8	3,5
K0446.3632	36	32	24	4	9	4
K0446.4238	42	38	30	4	10	4
K0446.4440	44	40	32	4	10	4