

Star Grips similar to DIN 6336, Style K, Inch

Item description/product images

INCH Parts



examples of grip cap designs



Description

Material:

Black thermoplastic.

Bushing steel.

Version:

Bushing trivalent blue passivated.

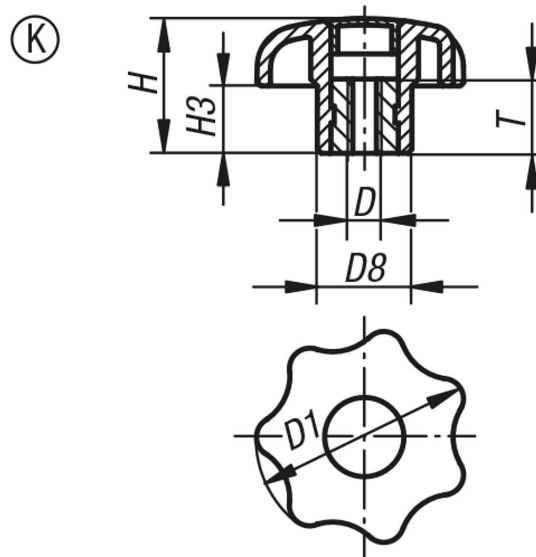
On request:

Other colors or designs, such as company logo.

Drawing reference:

Style K: tapped blind hole with cap

Drawings



Item No.	Style	D	D1	D8	H	H3	H5 max.	T
K0155.2AEΔ	K	8-32	25	12	16	8	-	10
K0155.2A1Δ	K	10-32	25	12	16	8	-	10
K0155.2A21Δ	K	1/4-20	25	12	16	8	-	10
K0155.2A11Δ	K	10-32	32	14	20	10	-	10
K0155.2A2Δ	K	1/4-20	32	14	20	10	-	10
K0155.2A3Δ	K	5/16-18	40	18	25	13	-	14
K0155.2A41Δ	K	3/8-16	40	18	25	13	-	14
K0155.2A31Δ	K	5/16-18	50	22	32	17	-	14
K0155.2A4Δ	K	3/8-16	50	22	32	17	-	14

Star Grips similar to DIN 6336, Style K, Inch

Item No.	Style	D	D1	D8	H	H3	H5 max.	T
K0155.2A51Δ	K	1/2-13	50	22	32	17	-	18
K0155.2A42Δ	K	3/8-16	63	26	40	21	-	14
K0155.2A5Δ	K	1/2-13	63	26	40	21	-	18
K0155.2A6Δ	K	5/8-11	63	26	40	21	-	18