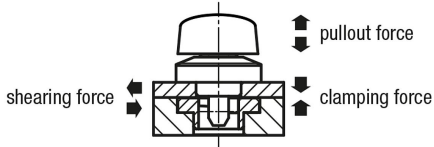


Quarter-turn clamp locks grip plastic or stainless steel

Item description/product images



Description

Material:

Housing steel.
Pin stainless steel.
Knob stainless steel or thermoplastic PA (polyamide).

Version:

Housing nickel-plated.
Pin bright.
Knob reinforced PA fibreglass, black.
Knob stainless steel, bright.

Note:

M2 or M3 mounting screws are supplied.
Form A mounting option for plate thickness 6 or 12 mm.
Form B mounting option for plate thickness 12 to 20 mm.

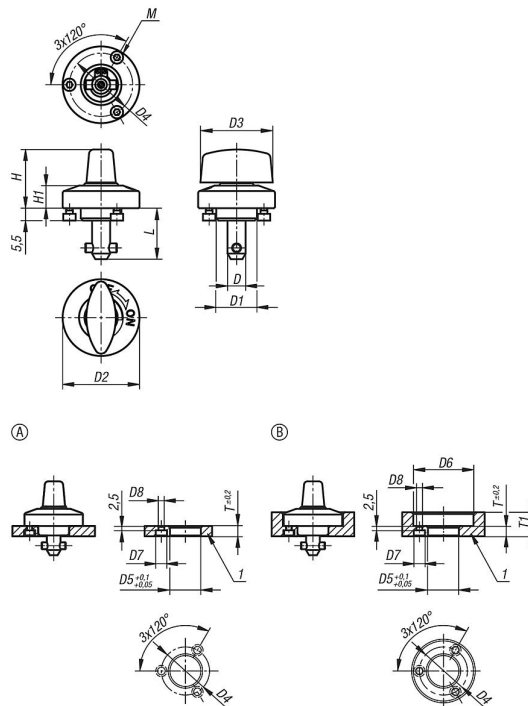
Accessory:

Clamping plates K1062

Drawing reference:

1) plate

Drawings



Overview of items

Quarter-turn clamp locks, grip plastic or stainless steel

Quarter-turn clamp locks grip plastic or stainless steel

Overview of items

Order No.	Component material	D	L	D1	D2	D3	D4	H	H1	M	D5	D6	D7	D8	T	T1	Clamping force N	Shearing force kN	pullout force F kN	Temperature resistance
K1061.516	plastic	5	15,5	14	25	20	21	19	6,5	M2x3	14	26	4,4	2,4	6	6-10	60	1,8	1,2	≤130 °C
K1061.817	plastic	8	17	18	34	32	28	26	10	M3x4	18	35	6,5	3,4	6	6-14	90	3,2	2,6	≤130 °C
K1061.823	plastic	8	23	18	34	32	28	26	10	M3x4	18	35	6,5	3,4	12	12-20	90	3,2	2,6	≤130 °C
K1061.5161	stainless steel	5	15,5	14	25	20	21	19	6,5	M2x3	14	26	4,4	2,4	6	6-10	60	1,8	1,2	≤200 °C
K1061.8171	stainless steel	8	17	18	34	32	28	25,5	10	M3x4	18	35	6,5	3,4	6	6-14	90	3,2	2,6	≤200 °C
K1061.8231	stainless steel	8	23	18	34	32	28	25,5	10	M3x4	18	35	6,5	3,4	12	12-20	90	3,2	2,6	≤200 °C