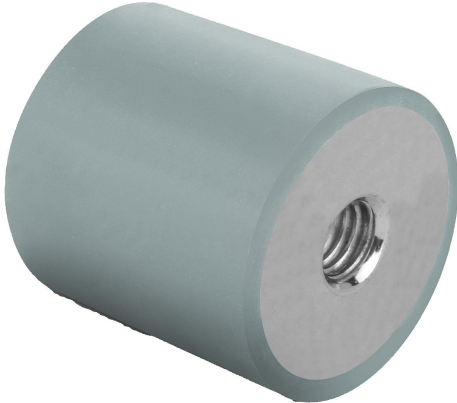


Rubber buffers stainless steel, type C

Item description/product images



Description

Material:

Metal parts 1.4401 stainless steel.

Elastomer natural rubber, medium hardness Shore 55A, grey.

Version:

Stainless steel bright.

Note:

The rubber buffers are widely-used construction elements for elastic mounting. They are used, among other things, as mountings for aggregates, motors, compressors, pumps and testing machinery.

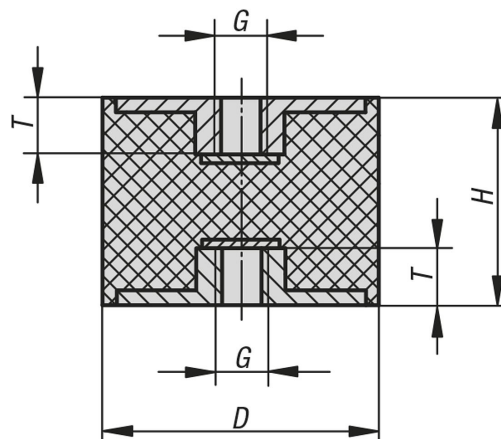
Temperature range:

-30°C to +80°C.

On request:

Metal parts 1.4301 stainless steel.

Drawings



Overview of items

Rubber buffers, stainless steel, type C

Order No.	Main material	Main colour	D	H	G	T	Spring stiffness N/mm	Load N
K1320.01001055	stainless steel	-	10	10	M4	4	175	350
K1320.01001555	stainless steel	-	10	15	M4	4	100	100
K1320.01501555	stainless steel	-	15	15	M4	4	230	276
K1320.02002055	stainless steel	-	20	20	M6	4	120	180
K1320.02002555	stainless steel	-	20	25	M6	4	230	276
K1320.02502055	stainless steel	-	25	20	M6	4	110	165
K1320.02502555	stainless steel	-	25	25	M6	4	80	160
K1320.02503055	stainless steel	-	25	30	M6	4	425	637
K1320.03002055	stainless steel	-	30	20	M8	4	425	637
K1320.03003055	stainless steel	-	30	30	M8	4	133	400
K1320.03004055	stainless steel	-	30	40	M8	4	530	1060
K1320.04003055	stainless steel	-	40	30	M8	4	222	666
K1320.04004055	stainless steel	-	40	40	M8	4	680	1360

Rubber buffers stainless steel, type C

Overview of items

Order No.	Main material	Main colour	D	H	G	T	Spring stiffness N/mm	Load N
K1320.05003055	stainless steel	-	50	30	M10	4	333	1000
K1320.05004055	stainless steel	-	50	40	M10	4	190	665
K1320.05005055	stainless steel	-	50	50	M10	4	750	2250
K1320.07504055	stainless steel	-	75	40	M12	4	636	2225
K1320.07505055	stainless steel	-	75	50	M12	4	50	50